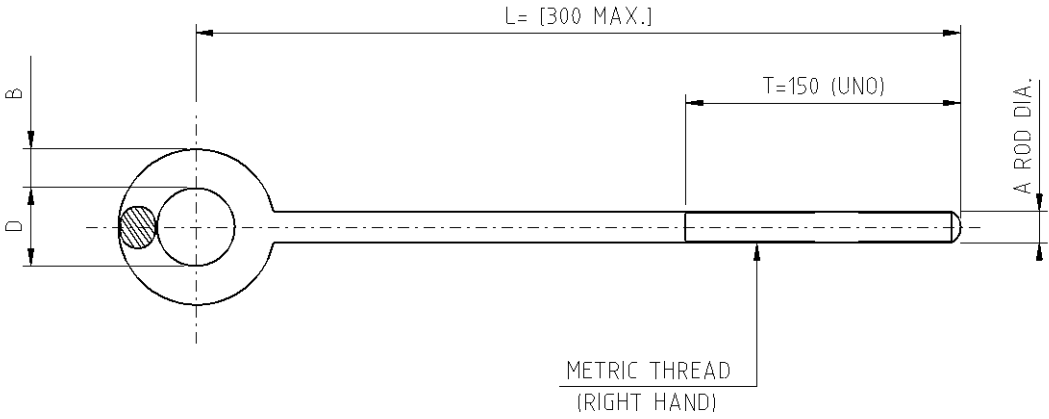


Providing All your Pipe Support Needs

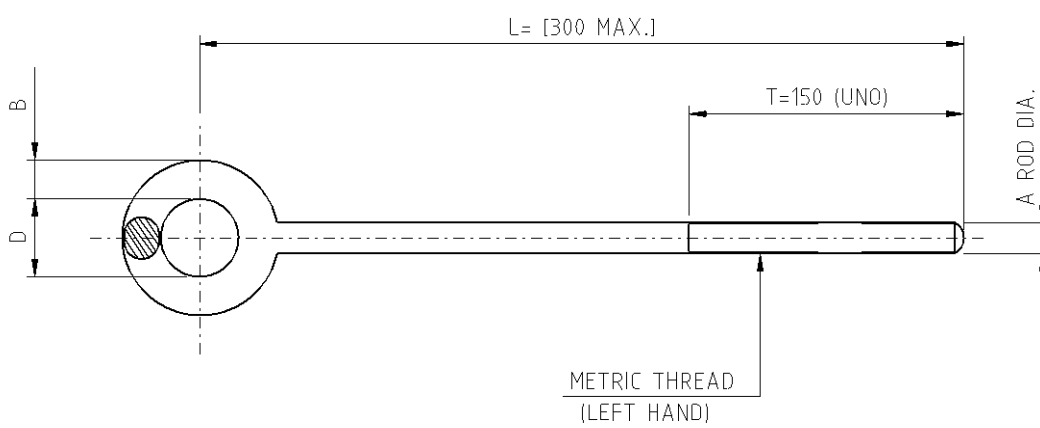
Table of Contents

SOLID FORGED EYE ROD – RIGHT-HAND TREAD.....	2
SOLID FORGED EYE ROD – LEFT-HAND TREAD.....	3
THREADED ROD (LEFT-HAND & RIGHT-HAND THREADS).....	4
THREADED ROD (RIGHT-HAND THREADS).....	5
ALL THREADED ROD - RIGHT-HAND THREAD	6
ALL THREADED ROD - LEFT-HAND THREAD	7
WELDLESS EYE NUTS	8
FORGED CLEVIS.....	9
FORGED TURNBUCKLE.....	10

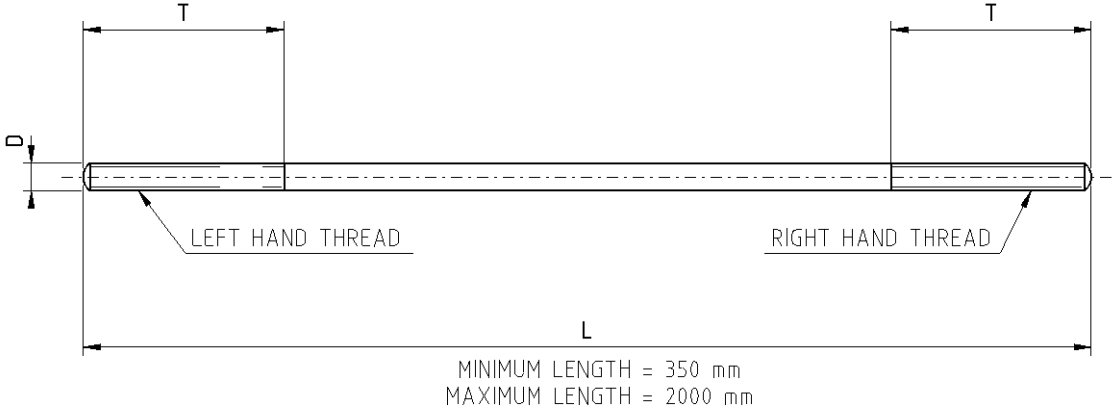
Providing All your Pipe Support Needs

SOLID FORGED EYE ROD – RIGHT-HAND TREAD				SC-001	
					
Typical Part Number Name	Available material short code			Standard Detail Temperature Limitation	
				Max design temp	Min design temp.
SC-001-000A-CS	CS			120°C	-46°C
SC-001-000A-SS	SS			NA	-105°C
TYPE	A	B	D	MAX LOAD (KN)	
				Carbon steel	Stainless steel
SC-001-000A	M10	7	16	3.8	2.28
SC-001-000B	M12	9	18	5.6	3.36
SC-001-000C	M16	12	22	10.4	6.24
SC-001-000D	M20	14	26	16.3	9.78
SC-001-000E	M24	17	30	23.6	14.16
SC-001-000F	M30	21	36	37.5	22.5
SC-001-000G	M36	26	42	54.6	32.76
SC-001-000H	M42	30	48	74.8	44.88
SC-001-000I	M48	34	54	98.2	58.92
SC-001-000J	M56	40	62	135.6	81.36
SC-001-000K	M64	45	70	179	107.4

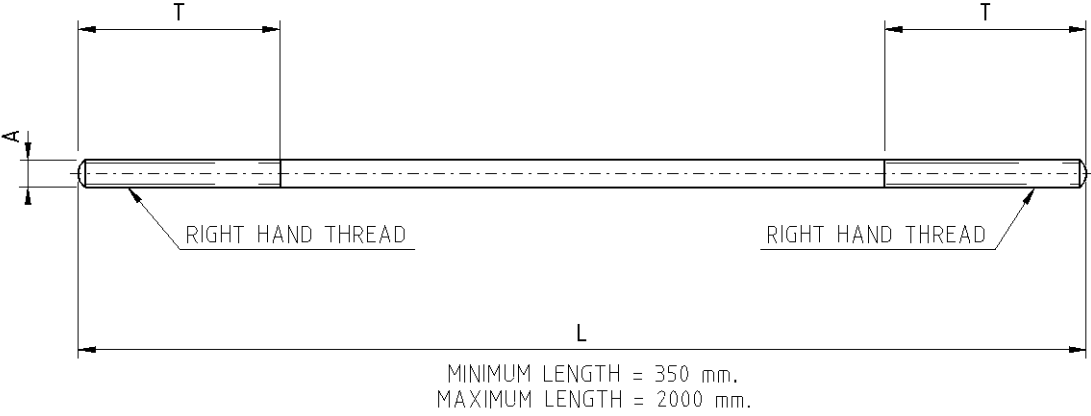
Providing All your Pipe Support Needs

SOLID FORGED EYE ROD – LEFT-HAND TREAD				SC-002	
					
Typical Part Number Name		Available material short code		Standard Detail Temperature Limitation	
				Max design temp	Min design temp.
SC-002-000A-CS		CS		120°C	-46°C
SC-002-000A-SS		SS		NA	-105°C
TYPE	A	B	D	MAX LOAD (KN)	
				Carbon steel	Stainless steel
SC-002-000A	M10	7	16	3.8	2.28
SC-002-000B	M12	9	18	5.6	3.36
SC-002-000C	M16	12	22	10.4	6.24
SC-002-000D	M20	14	26	16.3	9.78
SC-002-000E	M24	17	30	23.6	14.16
SC-002-000F	M30	21	36	37.5	22.5
SC-002-000G	M36	26	42	54.6	32.76
SC-002-000H	M42	30	48	74.8	44.88
SC-002-000I	M48	34	54	98.2	58.92
SC-002-000J	M56	40	62	135.6	81.36
SC-002-000K	M64	45	70	179	107.4

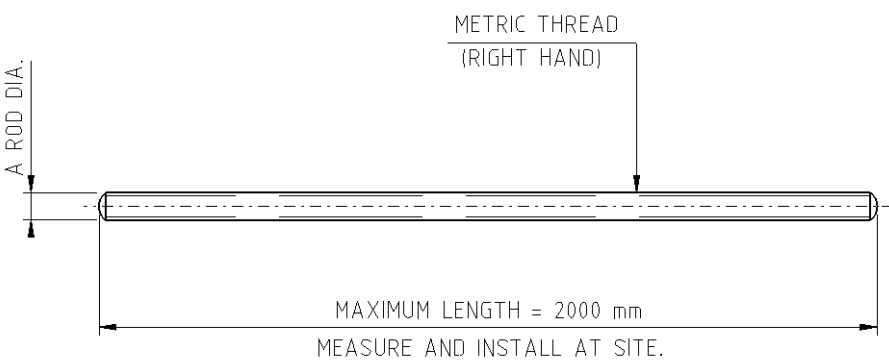
Providing All your Pipe Support Needs

THREADED ROD (LEFT-HAND & RIGHT-HAND THREADS)			SC-003	
 <p style="text-align: center;">MINIMUM LENGTH = 350 mm MAXIMUM LENGTH = 2000 mm</p>				
Typical Part Number Name	Available material short code	Standard Detail Temperature Limitation		
		Max design temp	Min design temp.	
SC-003-000A-CS	CS	120°C	-46°C	
SC-003-000A-SS	SS	NA	-105°C	
TYPE	D	T	MAX LOAD (KN)	
			Carbon steel	Stainless steel
SC-003-000A	M10	175	3.8	2.28
SC-003-000B	M12	185	5.6	3.36
SC-003-000C	M16	190	10.4	6.24
SC-003-000D	M20	200	16.3	9.78
SC-003-000E	M24	205	23.6	14.16
SC-003-000F	M30	225	37.5	22.5
SC-003-000G	M36	235	54.6	32.76
SC-003-000H	M42	250	74.8	44.88
SC-003-000I	M48	265	98.2	58.92
SC-003-000J	M56	280	135.6	81.36
SC-003-000K	M64	300	179	107.4
SC-003-000L	M72	320	227.4	136.44

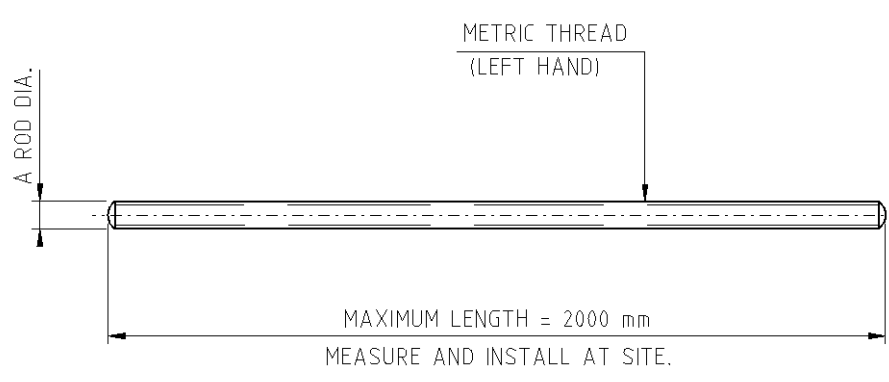
Providing All your Pipe Support Needs

THREADED ROD (RIGHT-HAND THREADS)			SC-004	
				
Typical Part Number Name	Available material short code	Standard Detail Temperature Limitation		
		Max design temp	Min design temp.	
SC-004-000A-CS	CS	120°C	-46°C	
SC-004-000A-SS	SS	NA	-105°C	
TYPE	A	T	MAX LOAD (KN)	
			Carbon steel	Stainless steel
SC-004-000A	M10	175	3.8	2.28
SC-004-000B	M12	185	5.6	3.36
SC-004-000C	M16	190	10.4	6.24
SC-004-000D	M20	200	16.3	9.78
SC-004-000E	M24	205	23.6	14.16
SC-004-000F	M30	225	37.5	22.5
SC-004-000G	M36	235	54.6	32.76
SC-004-000H	M42	250	74.8	44.88
SC-004-000I	M48	265	98.2	58.92
SC-004-000J	M56	280	135.6	81.36
SC-004-000K	M64	300	179	107.4
SC-004-000L	M72	320	227.4	136.44

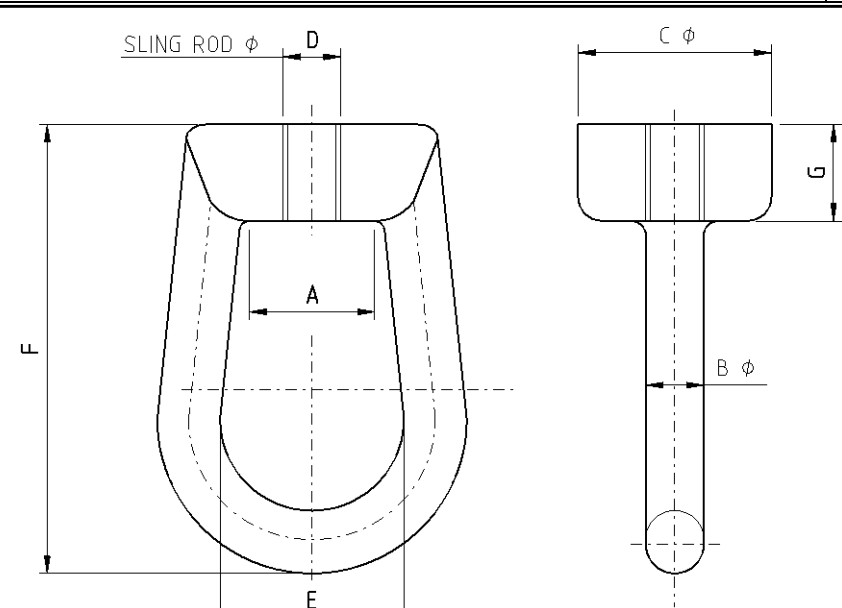
Providing All your Pipe Support Needs

ALL THREADED ROD - RIGHT-HAND THREAD			SC-005	
				
Typical Part Number Name	Available material short code	Standard Detail Temperature Limitation		
		Max design temp	Min design temp.	
SC-005-000A-CS	CS	120°C	-46°C	
SC-005-000A-SS	SS	NA	-105°C	
TYPE	A	MAX LOAD (KN)		
		Carbon steel	Stainless steel	
SC-005-000A	M10	3.8	2.28	
SC-005-000B	M12	5.6	3.36	
SC-005-000C	M16	10.4	6.24	
SC-005-000D	M20	16.3	9.78	
SC-005-000E	M24	23.6	14.16	
SC-005-000F	M30	37.5	22.5	
SC-005-000G	M36	54.6	32.76	
SC-005-000H	M42	74.8	44.88	
SC-005-000I	M48	98.2	58.92	
SC-005-000J	M56	135.6	81.36	
SC-005-000K	M64	179	107.4	
SC-005-000L	M72	227.4	136.44	

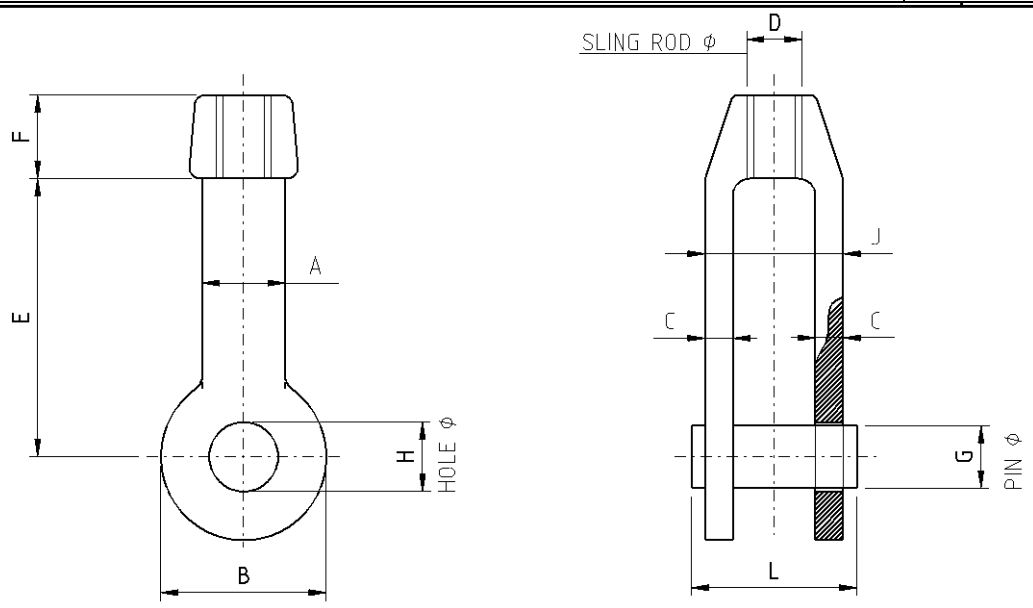
Providing All your Pipe Support Needs

ALL THREADED ROD - LEFT-HAND THREAD		SC-006	
			
Typical Part Number Name	Available material short code	Standard Detail Temperature Limitation	
		Max design temp	Min design temp.
SC-006-000A-CS	CS	120°C	-46°C
SC-006-000A-SS	SS	NA	-105°C
TYPE	A	MAX LOAD (KN)	
		Carbon steel	Stainless steel
SC-006-000A	M10	3.8	2.28
SC-006-000B	M12	5.6	3.36
SC-006-000C	M16	10.4	6.24
SC-006-000D	M20	16.3	9.78
SC-006-000E	M24	23.6	14.16
SC-006-000F	M30	37.5	22.5
SC-006-000G	M36	54.6	32.76
SC-006-000H	M42	74.8	44.88
SC-006-000I	M48	98.2	58.92
SC-006-000J	M56	135.6	81.36
SC-006-000K	M64	179	107.4
SC-006-000L	M72	227.4	136.44

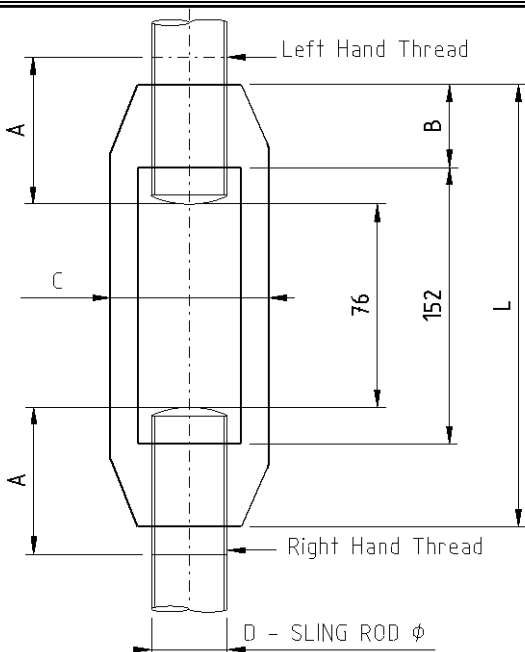
Providing All your Pipe Support Needs

WELDLESS EYE NUTS							SC-007		
									
Typical Part Number Name		Available material short code					Standard Detail Temperature Limitation		
							Max design temp		Min design temp.
SC-007-000A-CS		CS					120°C		-46°C
SC-007-000A-SS		SS					NA		-105°C
TYPE	SLING ROD ϕ	A	B	C	E	F	G	MAX LOAD (KN)	
								Carbon steel	Stainless steel
SC-007-000A	M10	14	7	32	25	64	16	3.8	2.28
SC-007-000B	M12	16	9	38	30	73	18	5.6	3.36
SC-007-000C	M16	20	12	38	30	73	18	10.4	6.24
SC-007-000D	M20	24	14	45	40	102	25	16.3	9.78
SC-007-000E	M24	26	17	50	50	124	28	23.6	14.16
SC-007-000F	M30	34	21	70	75	146	38	37.5	22.5
SC-007-000G	M36	40	26	70	75	146	38	54.6	32.76
SC-007-000H	M42	46	30	80	100	180	45	74.8	44.88
SC-007-000I	M48	90	34	100	70	240	75	98.2	58.92
SC-007-000J	M56	100	36	100	80	270	80	135.6	81.36
SC-007-000K	M64	130	42	130	100	330	80	179	107.4
SC-007-000L	M72	130	47	130	100	330	80	227.4	136.44

Providing All your Pipe Support Needs

FORGED CLEVIS										SC-008		
												
Typical Part Number Name		Available material short code						Standard Detail Temperature Limitation				
								Max design temp		Min design temp.		
SC-008-000A-CS		CS						120°C		-46°C		
SC-008-000A-SS		SS						NA		-105°C		
TYPE	SLING ROD ϕ	A	B	C	E	F	G	H	J	L	MAX LOAD (KN)	
											Carbon steel	Stainless steel
SC-008-000A	M10	30	38	10	95	32	10	12	38	55	3.8	2.28
SC-008-000B	M12	30	38	10	95	32	12	14	38	55	5.6	3.36
SC-008-000C	M16	30	38	10	95	32	16	18	38	55	10.4	6.24
SC-008-000D	M20	30	63	10	102	32	20	22	50	60	16.3	9.78
SC-008-000E	M24	38	76	12	127	32	24	26	58	80	23.6	14.16
SC-008-000F	M30	38	76	12	127	32	30	32	58	80	37.5	22.5
SC-008-000G	M36	44	83	1	152	41	36	39	80	100	54.6	32.76
SC-008-000H	M42	50	102	12	152	44	42	45	90	110	74.8	44.88
SC-008-000I	M48	64	127	16	178	57	48	51	102	140	98.2	58.92
SC-008-000J	M56	76	152	19	203	70	56	60	127	165	135.6	81.36
SC-008-000K	M64	76	152	19	203	70	64	68	127	165	179	107.4
SC-008-000L	M72	76	152	19	203	70	72	76	127	170	227.4	136.44

Providing All your Pipe Support Needs

FORGED TURNBUCKLE						SC-009	
							
Typical Part Number Name		Available material short code			Standard Detail Temperature Limitation		
					Max design temp	Min design temp.	
SC-009-000A-CS		CS			120°C	-46°C	
SC-009-000A-SS		SS			NA	-105°C	
TYPE	SLING ROD ϕ	A MIN	B	C	L	MAX LOAD (KN)	
						Carbon steel	Stainless steel
SC-009-000A	M10	110	16	32	185	3.8	2.28
SC-009-000B	M12	120	24	35	201	5.6	3.36
SC-009-000C	M16	130	26	40	203	10.4	6.24
SC-009-000D	M20	140	32	50	216	16.3	9.78
SC-009-000E	M24	150	35	67	229	23.6	14.16
SC-009-000F	M30	170	40	75	252	37.5	22.5
SC-009-000G	M36	190	53	90	277	54.6	32.76
SC-009-000H	M42	210	62	100	305	74.8	44.88
SC-009-000I	M48	240	77	108	305	98.2	58.92
SC-009-000J	M56	250	83	114	343	135.6	81.36
SC-009-000K	M64	260	96	145	343	179	107.4