

UNDER PIPE SUPPORT - TYPE C [Ref: UPS/C]

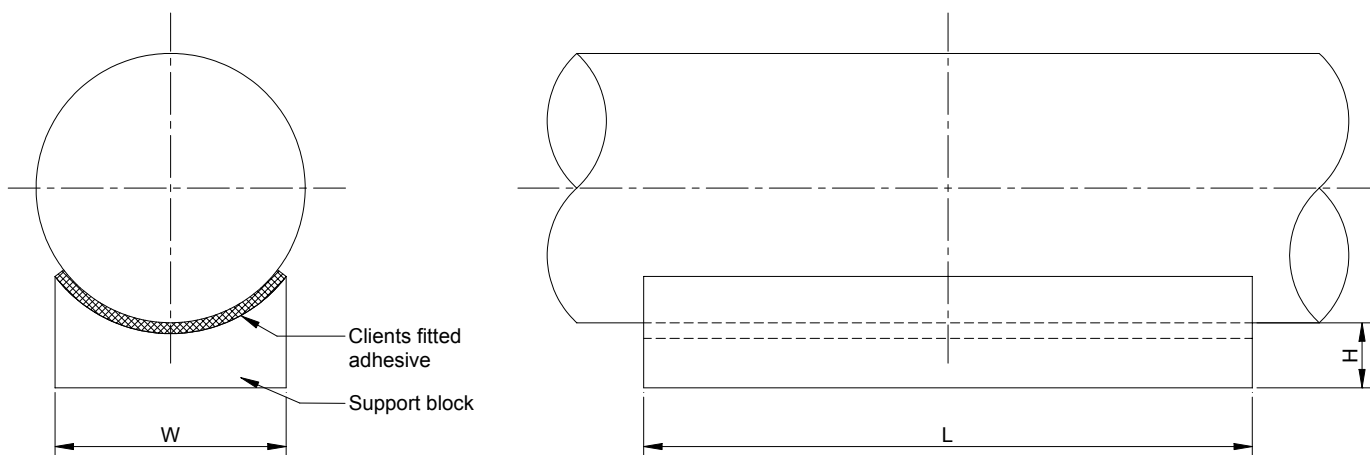
An anti-wear support and insulating block fitted between pipe and rack to prevent corrosion.

Under pipe supports prevent corrosion caused by:
Wear from thermal movement
Galvanic action between dissimilar metals
Moisture build up.

Available in three configurations for different operating conditions (types A, B and C)

Type C are supplied without pre-fitted adhesive tape. They are fixed using the client's choice of two part adhesive such as epoxy or methacrylate. The type C is intended to be used in the most arduous applications.

UNDER PIPE SUPPORT - TYPE C



Part Number	Nominal Pipe Diameter	Height, H	Width, W	Length, L
UPS/1/C	1"	13	20	356
UPS/2/C	2"	13	23 *	356
UPS/3/C	3"	13	47	356
UPS/4/C	4"	13	47	356
UPS/6/C	6"	13	73	356
UPS/8/C	8"	13	73	356
UPS/10/C	10"	13	73	356
UPS/12/C	12"	13	102	356
UPS/14/C	14"	13	102	356
UPS/16/C	16"	13	102	356
UPS/18/C	18"	13	152	406
UPS/20/C	20"	13	152	406
UPS/24/C	24"	13	152	406

An alternative 2" size UPS is available with a width of 40mm (Part Number UPS/2/EX/C)

Design criteria: Under pipe supports are designed for standard steel pipes including water loads on 100 - 150 mm support beams at spans up to 8 m.

NOTES:

- Unless otherwise stated, all dimensions are in millimetres.
- Operating temperature range -200°C to +160°C (using correctly rated adhesive)
- Support block material: **ASEplus** 1010 SWA.
- Adhesive according to client's choice (recommended 2 part epoxy or methacrylate).
- Under pipe supports type A and B also available for different operating conditions.

Atlantic Supports Engineering Ltd

Tel: +44 (029) 20 708461, Fax +44 (029) 20 350437
E-mail: sales@atlantic-supports.co.uk

Issue: 2.1 – 22/04/02

